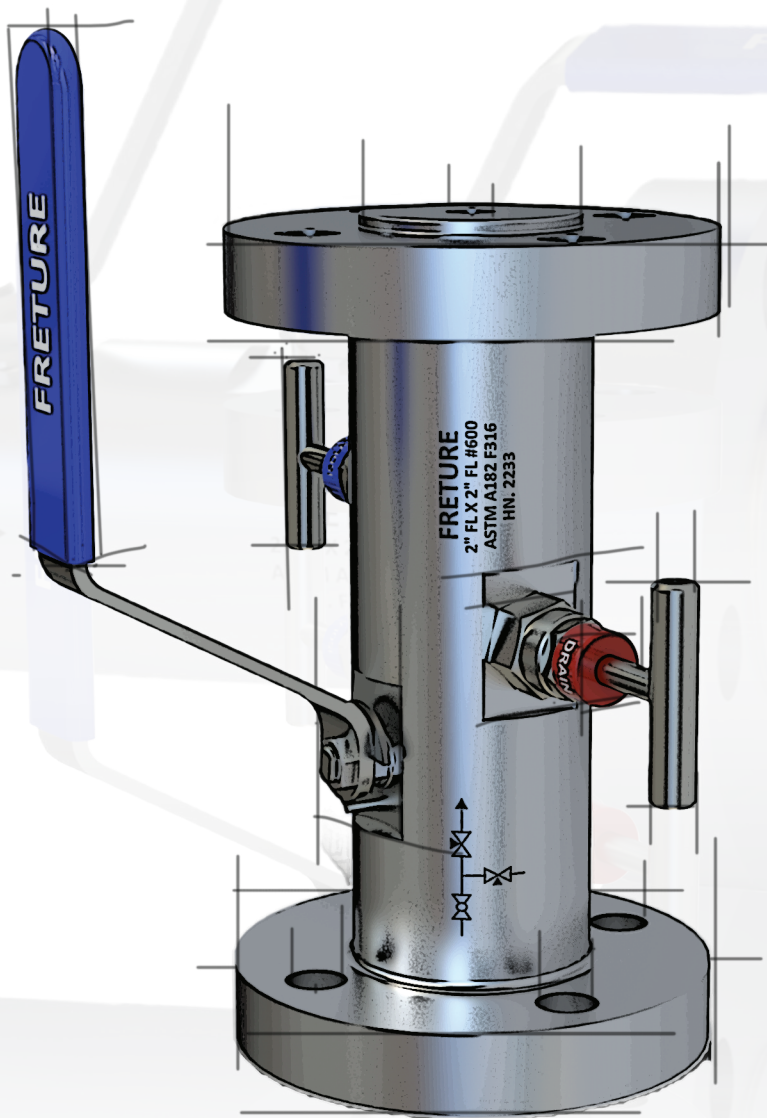


FRETURE

EMISSION FREE PROCESS

PROCESS AUTOMATION & CONTROL



INNOVATION FOR SUSTAINABILITY

DOUBLE BLOCK AND BLEED

www.freture.com

ISO 9001 - 15000 | ISO 14000 | ISO 45001 | PED 2014 / 68 / EU

SERIES - 40 DOUBLE BLOCK AND BLEED

Valve type Flange - Isolation - Isolation - Thread
Connections Flange x Thread
1st Isolate Ball 2st Isolate Ball

Wall Thickness	ASME B 16.34
Flange	ASME B 16.5
Leak Free	ISO 15842
Threads	ASME B 1.20.1
Fire tested	API 607 (ISO 10497)
Standards	API 607 , 6D ASME B 16.34, 16.5
Temperature	-7°C to 280°C
Pressure	Upto 10000 PSI



DBB 40

Dimension Chart

Flange Size	Class	ØD (mm)	Bolt Circle Diameter	No. of Bolt	Bolt Hole Diameter	Bolt Diameter	TOTAL LENGTH
1/2 (DN 15)	150	90	60.3	4	15.9	1/2	141
	300	95	66.7	4	15.9	1/2	144
	600	95	66.7	4	15.9	1/2	151
	900/1500	120	82.6	4	22.2	3/4	159
	2500	135	88.9	4	22.2	3/4	167
3/4 (DN 20)	150	100	69.9	4	15.9	1/2	143
	300	115	82.6	4	19.1	5/8	146
	600	115	82.6	4	19.1	5/8	152
	900/1500	130.0	88.9	4	22.2	3/4	162
	2500	140	95	4	22.2	3/4	168
1 (DN 25)	150	110.0	79.4	4	15.9	1/2	144
	300	125.0	88.9	4	19.1	5/8	148
	600	125.0	88.9	4	19.1	5/8	154
	900/1500	150.0	101.6	4	25.4	7/8	165
	2500	160	107.4	4	25.4	7/8	171
1 1/2 (DN 40)	150	125.0	98.4	4	15.9	1/2	148
	300	156	114.3	4	22.2	3/4	151
	600	155	114.3	4	22.2	3/4	159
	900/1500	180	123.8	4	28.6	1	168
	2500	205	146	4	31.8	1 1/8	181
2 (DN 50)	150	150	120.7	4	19.1	5/8	149
	300	165	127	8	19.1	5/8	152
	600	165	127	8	19.1	5/8	168
	900/1500	215	165.1	8	25.4	7/8	175
	2500	235.0	171.4	8	28.6	1	187

SERIES - 40 DOUBLE BLOCK AND BLEED

Valve type	Flange - Isolation - Isolation - Flange		
Connections	Flange x Flange		
1st Isolate	Ball	2st Isolate	Ball

Technical Specification

Wall Thickness	ASME B 16.34
Flange	ASME B 16.5
Leak Free	ISO 15842
Threads	ASME B 1.20.1
Fire tested	API 607 (ISO 10497)
Standards	API 607 , 6D ASME B 16.34, 16.5
Temperature	-7°C to 280°C
Pressure	Upto 10000 PSI



DBB 40D

Dimension Chart

Flange Size	Class	ØD (mm)	Bolt Circle Diameter	No. of Bolt	Bolt Hole Diameter	Bolt Diameter	TOTAL LENGTH
1/2 (DN 15)	150	90	60.3	4	15.9	1/2	141
	300	95	66.7	4	15.9	1/2	144
	600	95	66.7	4	15.9	1/2	151
	900/1500	120	82.6	4	22.2	3/4	159
	2500	135	88.9	4	22.2	3/4	167
3/4 (DN 20)	150	100	69.9	4	15.9	1/2	143
	300	115	82.6	4	19.1	5/8	146
	600	115	82.6	4	19.1	5/8	152
	900/1500	130.0	88.9	4	22.2	3/4	162
	2500	140	95	4	22.2	3/4	168
1 (DN 25)	150	110.0	79.4	4	15.9	1/2	144
	300	125.0	88.9	4	19.1	5/8	148
	600	125.0	88.9	4	19.1	5/8	154
	900/1500	150.0	101.6	4	25.4	7/8	165
	2500	160	107.4	4	25.4	7/8	171
1 1/2 (DN 40)	150	125.0	98.4	4	15.9	1/2	148
	300	156	114.3	4	22.2	3/4	151
	600	155	114.3	4	22.2	3/4	159
	900/1500	180	123.8	4	28.6	1	168
	2500	205	146	4	31.8	1 1/8	181
2 (DN 50)	150	150	120.7	4	19.1	5/8	149
	300	165	127	8	19.1	5/8	152
	600	165	127	8	19.1	5/8	168
	900/1500	215	165.1	8	25.4	7/8	175
	2500	235.0	171.4	8	28.6	1	187

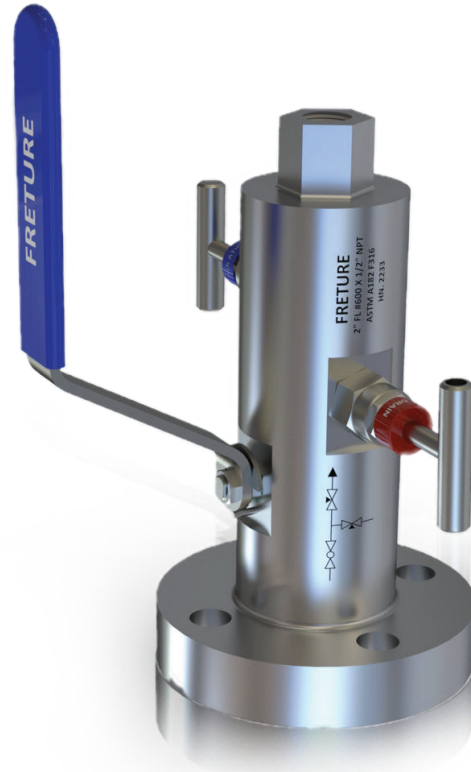
SERIES - 70

DOUBLE BLOCK AND BLEED

Valve type	Flange - Isolation - Isolation - Thread
Connections	Flange x Thread
1st Isolate	Ball
2st Isolate	Needle
2st Isolate	Needle

Technical Specification

Wall Thickness	ASME B 16.34
Flange	ASME B 16.5
Leak Free	ISO 15842
Threads	ASME B 1.20.1
Fire tested	API 607 (ISO 10497)
Standards	API 607 , 6D ASME B 16.34, 16.5
Temperature	-7°C to 280°C
Pressure	Upto 10000 PSI



DBB 40D

Dimension Chart

Flange Size	Class	ØD (mm)	Bolt Circle Diameter	No. of Bolt	Bolt Hole Diameter	Bolt Diameter	TOTAL LENGTH
1/2 (DN 15)	150	90	60.3	4	15.9	1/2	141
	300	95	66.7	4	15.9	1/2	144
	600	95	66.7	4	15.9	1/2	151
	900/1500	120	82.6	4	22.2	3/4	159
	2500	135	88.9	4	22.2	3/4	167
3/4 (DN 20)	150	100	69.9	4	15.9	1/2	143
	300	115	82.6	4	19.1	5/8	146
	600	115	82.6	4	19.1	5/8	152
	900/1500	130.0	88.9	4	22.2	3/4	162
	2500	140	95	4	22.2	3/4	168
1 (DN 25)	150	110.0	79.4	4	15.9	1/2	144
	300	125.0	88.9	4	19.1	5/8	148
	600	125.0	88.9	4	19.1	5/8	154
	900/1500	150.0	101.6	4	25.4	7/8	165
	2500	160	107.4	4	25.4	7/8	171
1 1/2 (DN 40)	150	125.0	98.4	4	15.9	1/2	148
	300	156	114.3	4	22.2	3/4	151
	600	155	114.3	4	22.2	3/4	159
	900/1500	180	123.8	4	28.6	1	168
	2500	205	146	4	31.8	1 1/8	181
2 (DN 50)	150	150	120.7	4	19.1	5/8	149
	300	165	127	8	19.1	5/8	152
	600	165	127	8	19.1	5/8	168
	900/1500	215	165.1	8	25.4	7/8	175
	2500	235.0	171.4	8	28.6	1	187

SERIES - 70

DOUBLE BLOCK AND BLEED

Valve type	Flange - Isolation - Isolation - Flange
Connections	Flange x Flange
1st Isolate	Ball
2st Isolate	Needle
2st Isolate	Needle

Technical Specification

Wall Thickness	ASME B 16.34
Flange	ASME B 16.5
Leak Free	ISO 15842
Threads	ASME B 1.20.1
Fire tested	API 607 (ISO 10497)
Standards	API 607 , 6D ASME B 16.34, 16.5
Temperature	-7°C to 280°C
Pressure	Upto 10000 PSI



DBB 40D

Dimension Chart

Flange Size	Class	ØD (mm)	Bolt Circle Diameter	No. of Bolt	Bolt Hole Diameter	Bolt Diameter	TOTAL LENGTH
1/2 (DN 15)	150	90	60.3	4	15.9	1/2	141
	300	95	66.7	4	15.9	1/2	144
	600	95	66.7	4	15.9	1/2	151
	900/1500	120	82.6	4	22.2	3/4	159
	2500	135	88.9	4	22.2	3/4	167
3/4 (DN 20)	150	100	69.9	4	15.9	1/2	143
	300	115	82.6	4	19.1	5/8	146
	600	115	82.6	4	19.1	5/8	152
	900/1500	130.0	88.9	4	22.2	3/4	162
	2500	140	95	4	22.2	3/4	168
1 (DN 25)	150	110.0	79.4	4	15.9	1/2	144
	300	125.0	88.9	4	19.1	5/8	148
	600	125.0	88.9	4	19.1	5/8	154
	900/1500	150.0	101.6	4	25.4	7/8	165
	2500	160	107.4	4	25.4	7/8	171
1 1/2 (DN 40)	150	125.0	98.4	4	15.9	1/2	148
	300	156	114.3	4	22.2	3/4	151
	600	155	114.3	4	22.2	3/4	159
	900/1500	180	123.8	4	28.6	1	168
	2500	205	146	4	31.8	1 1/8	181
2 (DN 50)	150	150	120.7	4	19.1	5/8	149
	300	165	127	8	19.1	5/8	152
	600	165	127	8	19.1	5/8	168
	900/1500	215	165.1	8	25.4	7/8	175
	2500	235.0	171.4	8	28.6	1	187

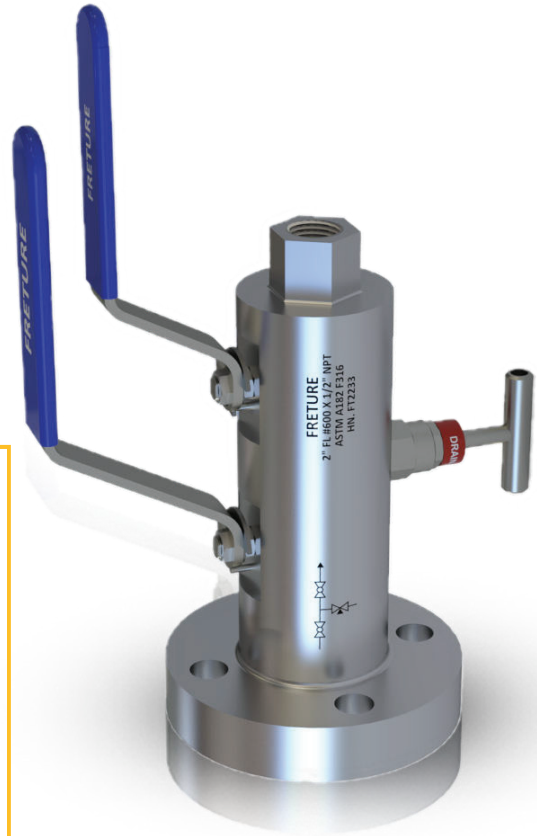
SERIES - 80

DOUBLE BLOCK AND BLEED

Valve type	Flange - Isolation - Isolation - Thread
Connections	Flange x Thread
1st Isolate	Ball
2st Isolate	Ball
2st Isolate	Needle

Technical Specification

Wall Thickness	ASME B 16.34
Flange	ASME B 16.5
Leak Free	ISO 15842
Threads	ASME B 1.20.1
Fire tested	API 607 (ISO 10497)
Standards	API 607 , 6D ASME B 16.34, 16.5
Temperature	-7°C to 280°C
Pressure	Upto 10000 PSI



DBB 80

Dimension Chart

Flange Size	Class	ØD (mm)	Bolt Circle Diameter	No. of Bolt	Bolt Hole Diameter	Bolt Diameter	TOTAL LENGTH
1/2 (DN 15)	150	90	60.3	4	15.9	1/2	141
	300	95	66.7	4	15.9	1/2	144
	600	95	66.7	4	15.9	1/2	151
	900/1500	120	82.6	4	22.2	3/4	159
	2500	135	88.9	4	22.2	3/4	167
3/4 (DN 20)	150	100	69.9	4	15.9	1/2	143
	300	115	82.6	4	19.1	5/8	146
	600	115	82.6	4	19.1	5/8	152
	900/1500	130.0	88.9	4	22.2	3/4	162
	2500	140	95	4	22.2	3/4	168
1 (DN 25)	150	110.0	79.4	4	15.9	1/2	144
	300	125.0	88.9	4	19.1	5/8	148
	600	125.0	88.9	4	19.1	5/8	154
	900/1500	150.0	101.6	4	25.4	7/8	165
	2500	160	107.4	4	25.4	7/8	171
1 1/2 (DN 40)	150	125.0	98.4	4	15.9	1/2	148
	300	156	114.3	4	22.2	3/4	151
	600	155	114.3	4	22.2	3/4	159
	900/1500	180	123.8	4	28.6	1	168
	2500	205	146	4	31.8	1 1/8	181
2 (DN 50)	150	150	120.7	4	19.1	5/8	149
	300	165	127	8	19.1	5/8	152
	600	165	127	8	19.1	5/8	168
	900/1500	215	165.1	8	25.4	7/8	175
	2500	235.0	171.4	8	28.6	1	187

SERIES - 80D

DOUBLE BLOCK AND BLEED

Valve type	Flange - Isolation - Isolation - Flange
Connections	Flange x Flange
1st Isolate	Ball
2st Isolate	Ball
2st Isolate	Needle

Technical Specification

Wall Thickness	ASME B 16.34
Flange	ASME B 16.5
Leak Free	ISO 15842
Threads	ASME B 1.20.1
Fire tested	API 607 (ISO 10497)
Standards	API 607 , 6D ASME B 16.34, 16.5
Temperature	-7°C to 280°C
Pressure	Upto 10000 PSI



DBB 80D

Dimension Chart

Flange Size	Class	ØD (mm)	Bolt Circle Diameter	No. of Bolt	Bolt Hole Diameter	Bolt Diameter	TOTAL LENGTH
1/2 (DN 15)	150	90	60.3	4	15.9	1/2	141
	300	95	66.7	4	15.9	1/2	144
	600	95	66.7	4	15.9	1/2	151
	900/1500	120	82.6	4	22.2	3/4	159
	2500	135	88.9	4	22.2	3/4	167
3/4 (DN 20)	150	100	69.9	4	15.9	1/2	143
	300	115	82.6	4	19.1	5/8	146
	600	115	82.6	4	19.1	5/8	152
	900/1500	130.0	88.9	4	22.2	3/4	162
	2500	140	95	4	22.2	3/4	168
1 (DN 25)	150	110.0	79.4	4	15.9	1/2	144
	300	125.0	88.9	4	19.1	5/8	148
	600	125.0	88.9	4	19.1	5/8	154
	900/1500	150.0	101.6	4	25.4	7/8	165
	2500	160	107.4	4	25.4	7/8	171
1 1/2 (DN 40)	150	125.0	98.4	4	15.9	1/2	148
	300	156	114.3	4	22.2	3/4	151
	600	155	114.3	4	22.2	3/4	159
	900/1500	180	123.8	4	28.6	1	168
	2500	205	146	4	31.8	1 1/8	181
2 (DN 50)	150	150	120.7	4	19.1	5/8	149
	300	165	127	8	19.1	5/8	152
	600	165	127	8	19.1	5/8	168
	900/1500	215	165.1	8	25.4	7/8	175
	2500	235.0	171.4	8	28.6	1	187

SERIES - 90

DOUBLE BLOCK AND BLEED

Valve type	Flange - Isolation - Isolation - Thread
Connections	Flange x Thread
1st Isolate	Ball
2st Isolate	Ball
2st Isolate	Ball

Technical Specification

Wall Thickness	ASME B 16.34
Flange	ASME B 16.5
Leak Free	ISO 15842
Threads	ASME B 1.20.1
Fire tested	API 607 (ISO 10497)
Standards	API 607 , 6D ASME B 16.34, 16.5
Temperature	-7°C to 280°C
Pressure	Upto 10000 PSI



DBB 90

Dimension Chart

Flange Size	Class	ØD (mm)	Bolt Circle Diameter	No. of Bolt	Bolt Hole Diameter	Bolt Diameter	TOTAL LENGTH
1/2 (DN 15)	150	90	60.3	4	15.9	1/2	141
	300	95	66.7	4	15.9	1/2	144
	600	95	66.7	4	15.9	1/2	151
	900/1500	120	82.6	4	22.2	3/4	159
	2500	135	88.9	4	22.2	3/4	167
3/4 (DN 20)	150	100	69.9	4	15.9	1/2	143
	300	115	82.6	4	19.1	5/8	146
	600	115	82.6	4	19.1	5/8	152
	900/1500	130.0	88.9	4	22.2	3/4	162
	2500	140	95	4	22.2	3/4	168
1 (DN 25)	150	110.0	79.4	4	15.9	1/2	144
	300	125.0	88.9	4	19.1	5/8	148
	600	125.0	88.9	4	19.1	5/8	154
	900/1500	150.0	101.6	4	25.4	7/8	165
	2500	160	107.4	4	25.4	7/8	171
1 1/2 (DN 40)	150	125.0	98.4	4	15.9	1/2	148
	300	156	114.3	4	22.2	3/4	151
	600	155	114.3	4	22.2	3/4	159
	900/1500	180	123.8	4	28.6	1	168
	2500	205	146	4	31.8	1 1/8	181
2 (DN 50)	150	150	120.7	4	19.1	5/8	149
	300	165	127	8	19.1	5/8	152
	600	165	127	8	19.1	5/8	168
	900/1500	215	165.1	8	25.4	7/8	175
	2500	235.0	171.4	8	28.6	1	187

SERIES - 90D

DOUBLE BLOCK AND BLEED

Valve type	Flange - Isolation - Isolation - Flange
Connections	Flange x Flange
1st Isolate	Ball
2st Isolate	Ball
2st Isolate	Ball

Technical Specification

Wall Thickness	ASME B 16.34
Flange	ASME B 16.5
Leak Free	ISO 15842
Threads	ASME B 1.20.1
Fire tested	API 607 (ISO 10497)
Standards	API 607 , 6D ASME B 16.34, 16.5
Temperature	-7°C to 280°C
Pressure	Upto 10000 PSI



DBB 90D


Dimension Chart

Flange Size	Class	ØD (mm)	Bolt Circle Diameter	No. of Bolt	Bolt Hole Diameter	Bolt Diameter	TOTAL LENGTH
1/2 (DN 15)	150	90	60.3	4	15.9	1/2	141
	300	95	66.7	4	15.9	1/2	144
	600	95	66.7	4	15.9	1/2	151
	900/1500	120	82.6	4	22.2	3/4	159
	2500	135	88.9	4	22.2	3/4	167
3/4 (DN 20)	150	100	69.9	4	15.9	1/2	143
	300	115	82.6	4	19.1	5/8	146
	600	115	82.6	4	19.1	5/8	152
	900/1500	130.0	88.9	4	22.2	3/4	162
	2500	140	95	4	22.2	3/4	168
1 (DN 25)	150	110.0	79.4	4	15.9	1/2	144
	300	125.0	88.9	4	19.1	5/8	148
	600	125.0	88.9	4	19.1	5/8	154
	900/1500	150.0	101.6	4	25.4	7/8	165
	2500	160	107.4	4	25.4	7/8	171
1 1/2 (DN 40)	150	125.0	98.4	4	15.9	1/2	148
	300	156	114.3	4	22.2	3/4	151
	600	155	114.3	4	22.2	3/4	159
	900/1500	180	123.8	4	28.6	1	168
	2500	205	146	4	31.8	1 1/8	181
2 (DN 50)	150	150	120.7	4	19.1	5/8	149
	300	165	127	8	19.1	5/8	152
	600	165	127	8	19.1	5/8	168
	900/1500	215	165.1	8	25.4	7/8	175
	2500	235.0	171.4	8	28.6	1	187

CLIENTELE



FRETURE TECHNO PVT. LTD.

 Alpack Comp, Milind Nagar
Bhandup (W) Mumbai 400 078

 www.freture.com
 +91 75066 82777
 sales@freture.com