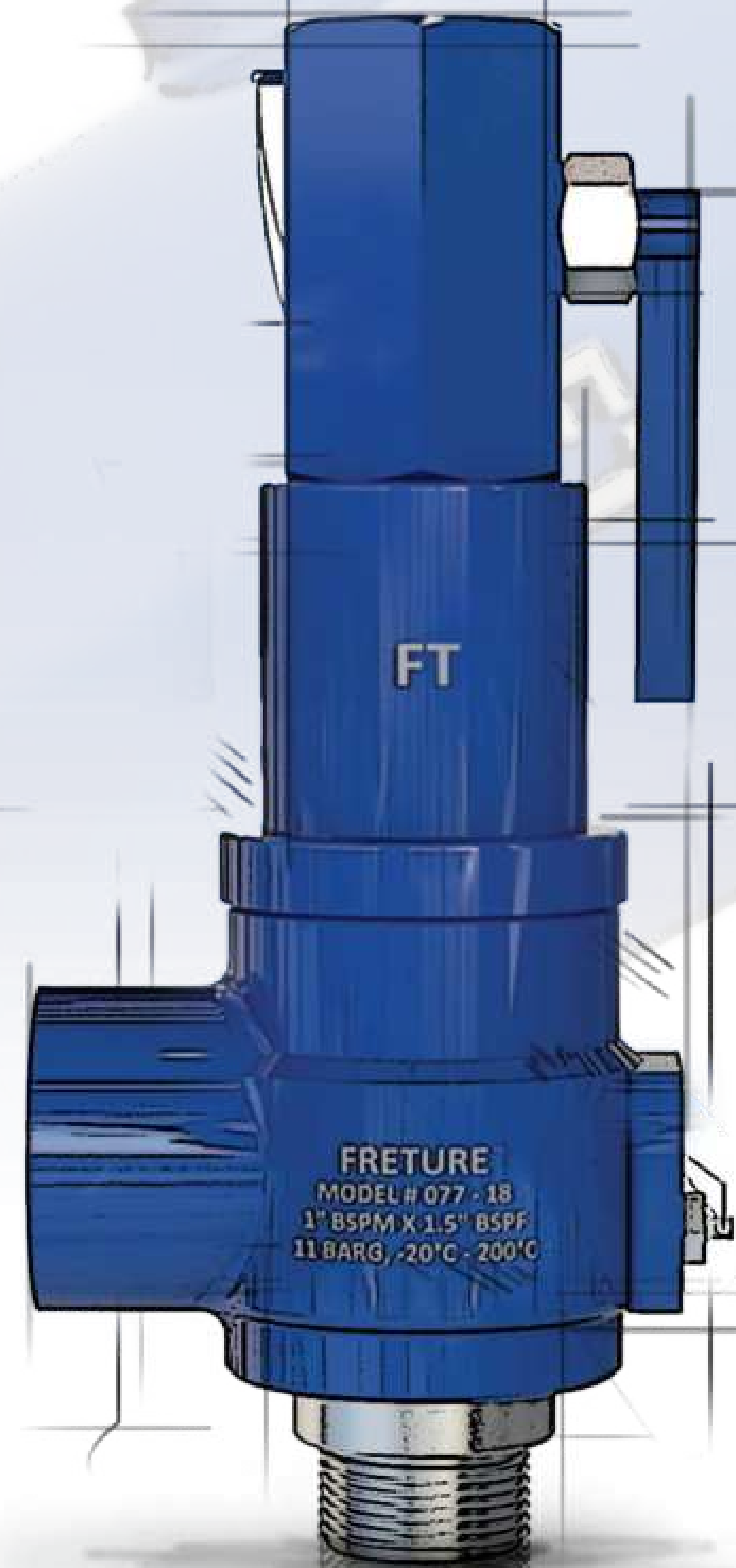
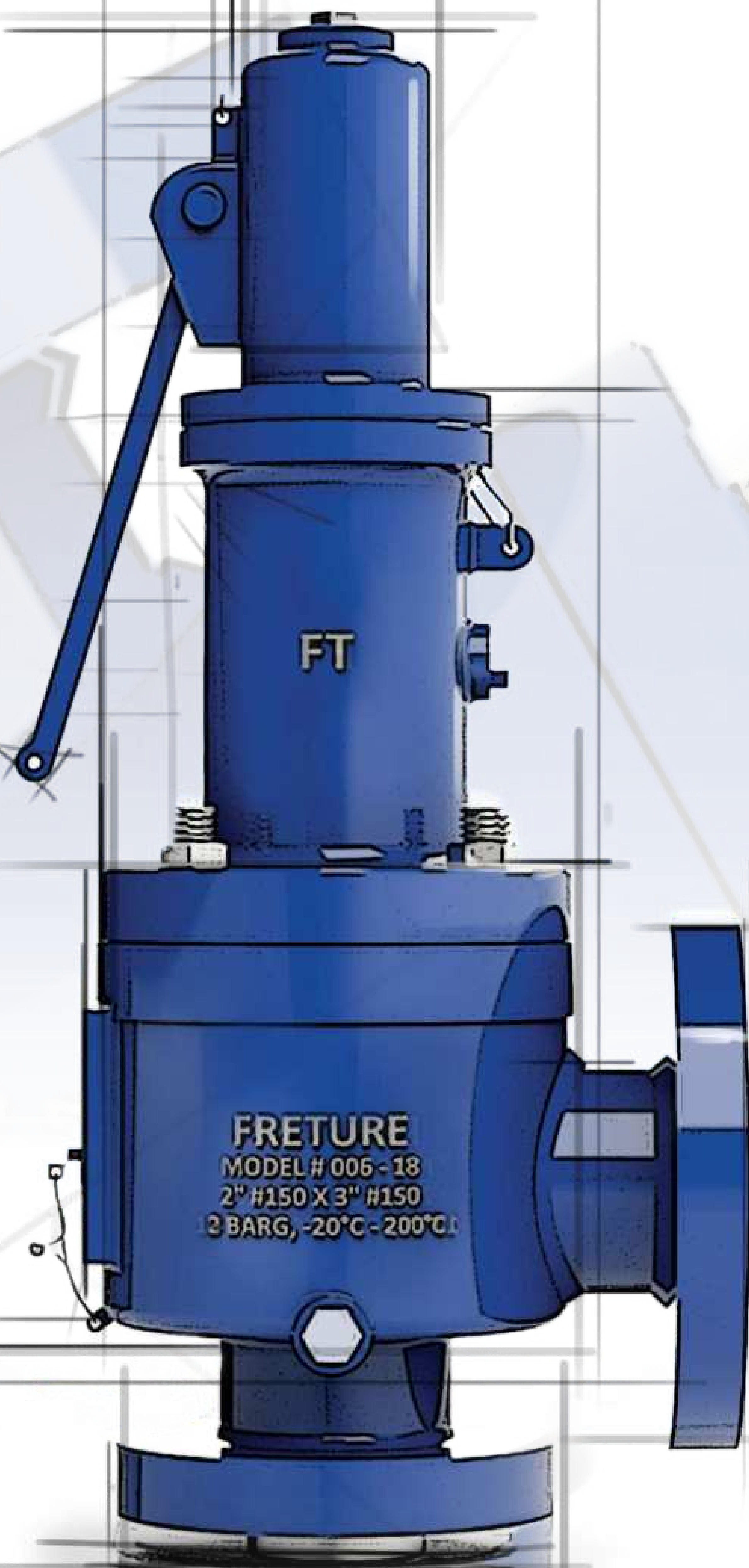


FRETURE

EMISSION FREE PROCESS

SAFETY WITH CONFIDENCE



INNOVATION FOR SUSTAINABILITY

SAFETY VALVE

www.freture.com

ISO 9001 - 15000 | ISO 14000 | ISO 45001 | PED 2014 / 68 / EU

SERIES #006



FRETURE safety valve meets rigorous standards including ASME Section VI, API 520, API 526, API 527, EN ISO 4126, and IS 12992, ensuring top-notch performance. Available in sizes ranging from 1" x 2" to 6" x 8" with FlangeEnd (ANSI B 16.5 R.F.) connections, it operates within a set pressure range of 1 BARG to 414 BARG and a temperature range of -196°C to 538°C. Featuring direct spring operation, full lift, full nozzle, single trim, adjustable blow-down ring, and superior seat tightness, it's an ideal choice for Controlling flow of air, gas, steam, and different liquid.

Manufacturing Std.

ASME SEC VIII 1 | API 526 | API 527 | EN ISO 4126 | IS 12992

End Connection	Size	Pressure	Temperature
Flange End	1" - 6" x 8"	1 - 414 BARG	-196°C to 538°C

Applications



Features

- Direct spring operation
- Full lift
- Full nozzle
- Single trim
- Adjustable blow ring
- High capacity

FRETURE safety valve conforms to stringent standards, including ASME Section VIII Division 1, API 526 & 520, API 527, ASME 16.34, and IS 12992. Available in sizes ranging from 1/2" x 1" to 1" x 1.5" (Orifice "B" - "F"), it offers versatile end connections in both thread and flanged options. set pressure range of 1 BARG to 255 BARG and a temperature range spanning from -196°C to 400°C, this valve features direct spring operation, full lift, full nozzle, adjustable blow-down ring, and a single trim. Designed for air, gas, steam, and liquid applications.

Manufacturing Std.

ASME SEC VIII 1 | API 526 | API 527 | EN ISO 4126 | IS 12992

End Connection	Size	Pressure	Temperature
Thread End	1/2" X 1"	1 - 255 BARG	-196°C to 400°C
Flange End	1" X 1-3/2"	1 - 255 BARG	-196°C to 400°C

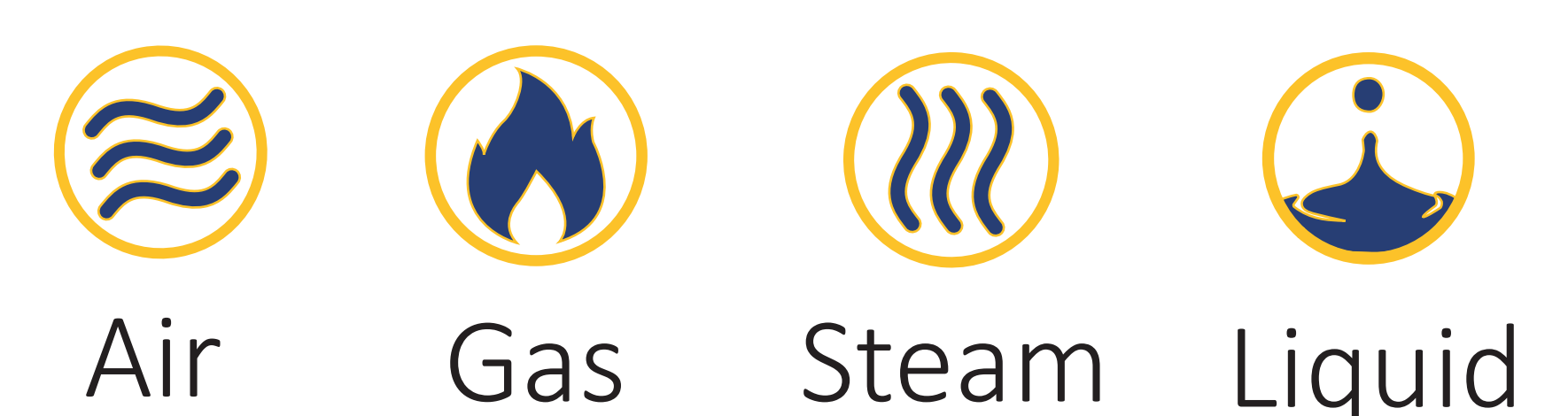
Features

- Direct spring operation
- Full lift
- Full nozzle
- Adjustable blow-down ring
- Single trim
- Small Orifice

SERIES #077



Applications



SERIES #002



FRETURE safety valve conforms to industry-leading standards, including ASME SEC VI 1, API 526, API 527, ASME 16.34, and IS 12992. Available in sizes ranging from 1/2" to 3" with versatile thread end connections (BSP, BSPT, NPT), it operates within a set pressure range of 1 BARG to 21 BARG and a temperature range of -20°C to 250°C. Notable features include direct spring operation, full lift, full nozzle, single trim, adjustable blow-down ring, superior seat tightness, metal-to-metal seat, and high capacity. Ideal for applications in air, gas, and steam systems.

Manufacturing Std.

ASME SEC VIII 1 | API 526 | API 527 | ASME 16.34 | IS 12992

End Connection	Size	Pressure	Temperature
Thread End	1/2" - 3"	1 - 21 BARG	-20°C To 250°C

Applications



Air



Gas



Steam

Features

- Direct spring operation
- Full lift & nozzle
- Single trim
- Adjustable blow-down ring
- Superior Seat Tightness
- High capacity

FRETURE safety valve complies with industry standards, including ASME Section VIII Division 1, API 526, API 527, EN ISO 4126, and IS 12992. Available in sizes ranging from 1/2 x 1" to 2 x 2" (orifice "D" to "M") and featuring thread end connections (BSP, BSPT, NPT), set pressure range of 1 BARG to 21 BARG and operates within a temperature range of -196°C to 530°C. Notable features include direct spring operation, full lift, full nozzle, adjustable blow-down ring, superior seat tightness, and a single trim, making good for air, gas, steam, and liquid applications.

Manufacturing Std.

ASME SEC VIII 1 | API 526 | API 527 | EN ISO 4126 | IS 12992

End Connection	Size	Pressure	Temperature
Thread End	1 / 2 X 1" - 2"	1 - 21 BARG	-196°C to 530°C

Features

- Direct spring operation
- Full lift
- Full nozzle
- Adjustable Nozzle ring
- Superior Seat Tightness
- Single trim

SERIES #008



Applications



Air



Gas



Steam



Liquid

SERIES #033



FRETURE safety valve with ASME Section VIII Division 1, ASME B16.34, API 526, API 527, and IS 12992 standards, ensuring reliability and quality. sizes ranging from 1/2" x 1" to 1" x 1-1/2", versatile thread end connections (BSP, BSPT, NPT), set pressure range of 1 BARG to 35 BARG and a temperature range of -20°C to 200°C. Notable features include direct spring operation, full lift, full nozzle, single trim, fixed blow-down ring, metal/Viton rubber seat, and a maintenance-free design. Designed for air, gas, and water applications.

Manufacturing Std.

ASME SEC VIII 1 | API 526 | API 527 | EN ISO 4126 | IS 12992

End Connection	Size	Pressure	Temperature
Thread End	1" - 1-1/2"	1 - 35 BARG	-20°C to 200°C

Applications



Air



Gas



Water

Features

- Direct spring operation
- Full lift
- Full nozzle
- Fixed blow-down ring
- maintenance-free design
- Single trim

FRETURE safety valve conforms industry standards, including ASME SEC VI 1, ASME SEC VI 1 & ASME 16.34, API 526 & 520, API 527, IS 12992, and EN ISO 4126 Part 1. Available in sizes ranging from 1/2" x 1" to 1" x 1.5" it offers versatile end connections with thread and flanged options. set pressure range spans from 1 BARG to 255 BARG, and temperature range of -196°C to 300°C. features direct spring operation, full lift, full nozzle, single trim, adjustable blow-down ring, small orifice, high-pressure design, and superior seat tightness. Ideal for air, gas, steam, and liquid applications.

Manufacturing Std.

ASME SEC VIII 1 | API 526 | API 527 | EN ISO 4126 | IS 12992

End Connection	Size	Pressure	Temperature
Thread End	1/2" X 1"	1 - 255 BARG	-196°C to 300°C
Flange End	1.5" X 1.5"	1 - 255 BARG	-196°C to 300°C

Features

- Direct spring operation
- Full lift nozzle
- Single trim
- Adjustable blow-down ring
- Superior Seat Tightness
- High capacity

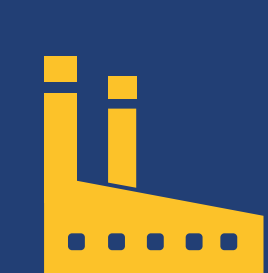
SERIES #088



Applications



FRETURE TECHNO PVT. LTD.



Alpack Comp, Milind Nagar
Bhandup (W) Mumbai 400 078



www.freture.com



+91 75066 82777



sales@freture.com