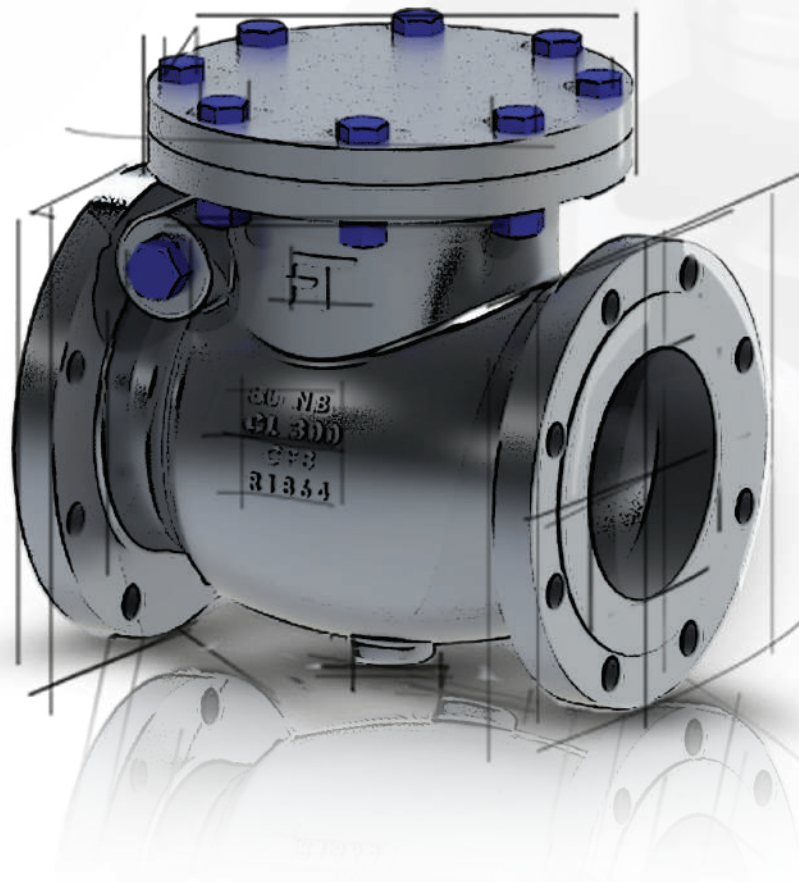


FRETURE

EMISSION FREE PROCESS

PROCESS AUTOMATION & CONTROL



INNOVATION FOR SUSTAINABILITY

CHECK VALVE

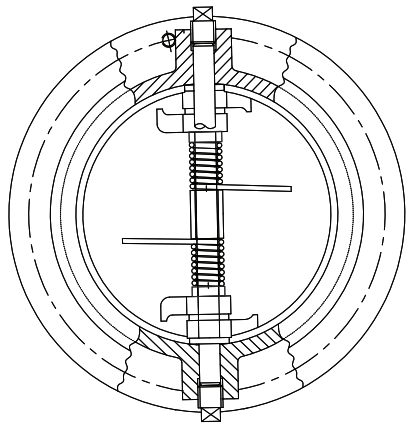
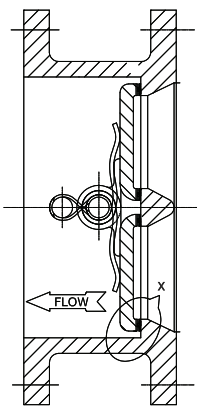
www.freture.com

ISO 9001 - 15000 | ISO 14000 | ISO 45001 | PED 2014 / 68 / EU | IBR

DUAL PLATE CHECK VALVE

Design : API 6D / API 594

End Connection	Size	Class
Wafer Type , Flanged	50NB- 600NB	150#-1500#



Air



Gas



Steam



Liquid



High Temp.



Chemical



Hazardous



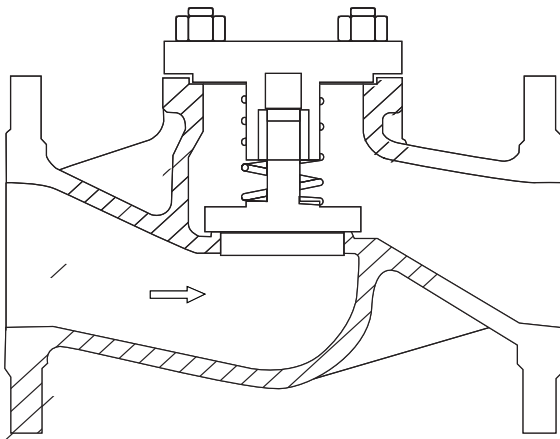
Cryogenic

Description	Carbon Steel	Carbon Steel	Alloy Steel	Stainless Steel
Body	A 216 Gr . WCB	A 352 Gr . LCB	A 217 Gr . C5	A 351 Gr . CF8M
Disc	A105 + ER 410	A 182 Gr . F304	A 182 Gr . F6a	A 182 Gr . F316
Seat Ring	A105 + Stellite	A 182 Gr . F304	A 182 Gr . F6a + Stellite	----
Cover	A 216 Gr . WCB / A 515 Gr. 70	A 352 Gr . LCB / A 182 Gr. F304	A 217 Gr . C5	A 351 Gr . CF8M
Cover Bolt & Nut	A 193 Gr . B7 / A 194 Gr. 2H	A 320 Gr . L7 / A 194 Gr. 7	A 193 Gr . B7 / A 194 Gr. 2H	A 193 Gr . B7 / A 194 Gr. 2H ⁽¹⁾
Bracket Stud & Nut	A 193 Gr . B8 / A 194 Gr. 8	A 193 Gr . B8 / A 194 Gr. 8	A 193 Gr . B8 / A 194 Gr. 8	A 193 Gr . B8M / A 194 Gr. 8M
Gasket	SS304L or Graphite	SS304L or Graphite	SS304L or Graphite	SS316L or Graphite
Washer	AISI 410	AISI 304	AISI 410	AISI 316
Disc Nut	AISI 304	AISI 304	AISI 304	AISI 316
Hinge Pin *	A182 Gr . F6a	A182 Gr . F304	A182 Gr . F6a	A 182 Gr . F316
Split Pin	AISI 304	AISI 304	AISI 304	AISI 316
Hinge	A 216 Gr . WCB / A 515 Gr. 70	A 352 Gr . LCB	A 217 Gr . C5	A 351 Gr . CF8M
Hinge Bracket	A 216 Gr . WCB / A 515 Gr. 70	A 352 Gr . LCB	A 217 Gr . C5	A 351 Gr . CF8M
Turning Hook	A105	A105	A105	A105

LIFT CHECK VALVE

Design : API 602

End Connection	Size	Class
Flange End	15NB-50NB	150#-1500#
Socket Weld / Screwed	15NB- 50NB	800#-2500#



Air



Gas



Steam



Liquid



High Temp.



Chemical



Hazardous



Cryogenic

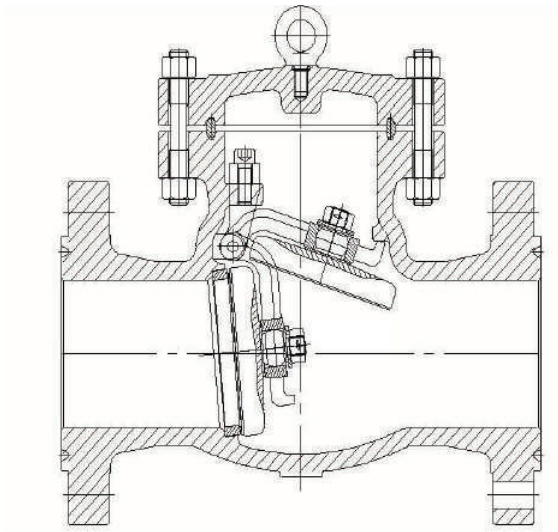
Description	Carbon Steel	Carbon Steel	Alloy Steel	Stainless Steel
Body	A 216 Gr. WCB	A 352 Gr. LCB	A 217 Gr. C5	A 351 Gr. CF8M
Disc	A105 + ER 410	A 182 Gr. F304	A 182 Gr. F6a	A 182 Gr. F316
Seat Ring	A105 + Stellite	A 182 Gr. F304	A 182 Gr. F6a + Stellite	----
Cover	A 216 Gr. WCB / A 515 Gr. 70	A 352 Gr. LCB / A 182 Gr. F304	A 217 Gr. C5	A 351 Gr. CF8M
Cover Bolt & Nut	A 193 Gr. B7 / A 194 Gr. 2H	A 320 Gr. L7 / A 194 Gr. 7	A 193 Gr. B7 / A 194 Gr. 2H	A 193 Gr. B7 / A 194 Gr. 2H ⁽¹⁾
Bracket Stud & Nut	A 193 Gr. B8 / A 194 Gr. 8	A 193 Gr. B8 / A 194 Gr. 8	A 193 Gr. B8 / A 194 Gr. 8	A 193 Gr. B8M / A 194 Gr. 8M
Gasket	SS304L or Graphite	SS304L or Graphite	SS304L or Graphite	SS316L or Graphite
Washer	AISI 410	AISI 304	AISI 410	AISI 316
Disc Nut	AISI 304	AISI 304	AISI 304	AISI 316
Hinge Pin *	A182 Gr. F6a	A182 Gr. F304	A182 Gr. F6a	A 182 Gr. F316
Split Pin	AISI 304	AISI 304	AISI 304	AISI 316
Hinge	A 216 Gr. WCB / A 515 Gr. 70	A 352 Gr. LCB	A 217 Gr. C5	A 351 Gr. CF8M
Hinge Bracket	A 216 Gr. WCB / A 515 Gr. 70	A 352 Gr. LCB	A 217 Gr. C5	A 351 Gr. CF8M
Turning Hook	A105	A105	A105	A105

LINED CHECK VALVE

Lining Material : PTFE, PFA, FEP, PVDF, ETFE, Glass, Carbon PTFE

Design : API 6D / DIN 3202

End Connection	Size	Class
Flanged	15NB- 600NB	150#/PN16



Chemical



Hazardous



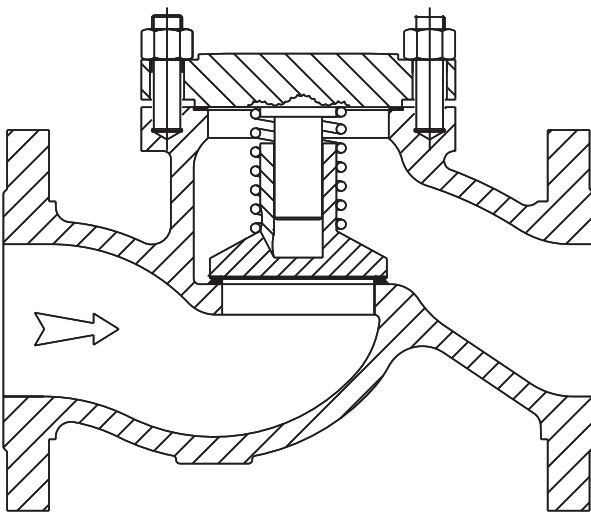
Acid

Description	Carbon Steel	Carbon Steel	Alloy Steel	Stainless Steel
Body	A 216 Gr. WCB	A 352 Gr. LCB	A 217 Gr. C5	A 351 Gr. CF8M
Disc	A105 + ER 410	A 182 Gr. F304	A 182 Gr. F6a	A 182 Gr. F316
Seat Ring	A105 + Stellite	A 182 Gr. F304	A 182 Gr. F6a + Stellite	----
Cover	A 216 Gr. WCB / A 515 Gr. 70	A 352 Gr. LCB / A 182 Gr. F304	A 217 Gr. C5	A 351 Gr. CF8M
Cover Bolt & Nut	A 193 Gr. B7 / A 194 Gr. 2H	A 320 Gr. L7 / A 194 Gr. 7	A 193 Gr. B7 / A 194 Gr. 2H	A 193 Gr. B7 / A 194 Gr. 2H ⁽¹⁾
Bracket Stud & Nut	A 193 Gr. B8 / A 194 Gr. 8	A 193 Gr. B8 / A 194 Gr. 8	A 193 Gr. B8 / A 194 Gr. 8	A 193 Gr. B8M / A 194 Gr. 8M
Gasket	SS304L or Graphite	SS304L or Graphite	SS304L or Graphite	SS316L or Graphite
Washer	AISI 410	AISI 304	AISI 410	AISI 316
Disc Nut	AISI 304	AISI 304	AISI 304	AISI 316
Hinge Pin *	A182 Gr. F6a	A182 Gr. F304	A182 Gr. F6a	A 182 Gr. F316
Split Pin	AISI 304	AISI 304	AISI 304	AISI 316
Hinge	A 216 Gr. WCB / A 515 Gr. 70	A 352 Gr. LCB	A 217 Gr. C5	A 351 Gr. CF8M
Hinge Bracket	A 216 Gr. WCB / A 515 Gr. 70	A 352 Gr. LCB	A 217 Gr. C5	A 351 Gr. CF8M
Turning Hook	A105	A105	A105	A105

PISTON CHECK VALVE

Design : API 602

End Connection	Size	Class
Flange End	15NB-50NB	150#-600#
Socket Weld / Screwed	15NB-50NB	150#-600#



Air



Gas



Steam



Liquid



High Temp.



Chemical



Hazardous



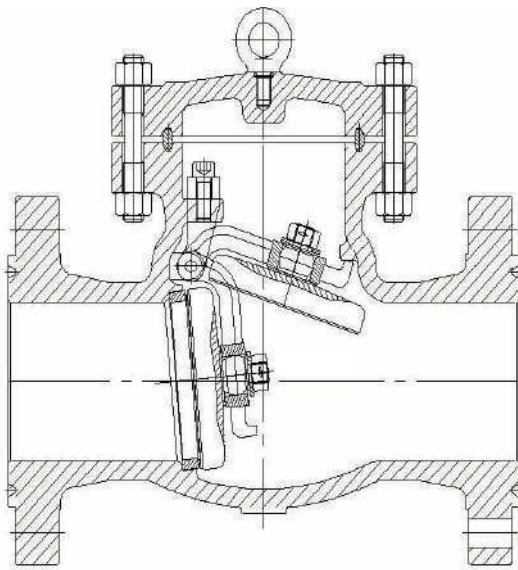
Cryogenic

Description	Carbon Steel	Carbon Steel	Alloy Steel	Stainless Steel
Body	A 216 Gr . WCB	A 352 Gr . LCB	A 217 Gr . C5	A 351 Gr . CF8M
Disc	A105 + ER 410	A 182 Gr . F304	A 182 Gr . F6a	A 182 Gr . F316
Seat Ring	A105 + Stellite	A 182 Gr . F304	A 182 Gr . F6a + Stellite	----
Cover	A 216 Gr . WCB / A 515 Gr. 70	A 352 Gr . LCB / A 182 Gr. F304	A 217 Gr . C5	A 351 Gr . CF8M
Cover Bolt & Nut	A 193 Gr . B7 / A 194 Gr. 2H	A 320 Gr . L7 / A 194 Gr. 7	A 193 Gr . B7 / A 194 Gr. 2H	A 193 Gr . B7 / A 194 Gr. 2H ⁽¹⁾
Bracket Stud & Nut	A 193 Gr . B8 / A 194 Gr. 8	A 193 Gr . B8 / A 194 Gr. 8	A 193 Gr . B8 / A 194 Gr. 8	A 193 Gr . B8M / A 194 Gr. 8M
Gasket	SS304L or Graphite	SS304L or Graphite	SS304L or Graphite	SS316L or Graphite
Washer	AISI 410	AISI 304	AISI 410	AISI 316
Disc Nut	AISI 304	AISI 304	AISI 304	AISI 316
Hinge Pin *	A182 Gr . F6a	A182 Gr . F304	A182 Gr . F6a	A 182 Gr . F316
Split Pin	AISI 304	AISI 304	AISI 304	AISI 316
Hinge	A 216 Gr . WCB / A 515 Gr. 70	A 352 Gr . LCB	A 217 Gr . C5	A 351 Gr . CF8M
Hinge Bracket	A 216 Gr . WCB / A 515 Gr. 70	A 352 Gr . LCB	A 217 Gr . C5	A 351 Gr . CF8M
Turning Hook	A105	A105	A105	A105

SWING CHECK VALVE

Design : API 6D / DIN 3202

End Connection	Size	Class
Flanged	25NB- 600NB	150#-1500#



Air



Gas



Steam



Liquid



High Temp.



Chemical



Hazardous




Cryogenic

Description	Carbon Steel	Carbon Steel	Alloy Steel	Stainless Steel
Body	A 216 Gr . WCB	A 352 Gr . LCB	A 217 Gr . C5	A 351 Gr . CF8M
Disc	A105 + ER 410	A 182 Gr . F304	A 182 Gr . F6a	A 182 Gr . F316
Seat Ring	A105 + Stellite	A 182 Gr . F304	A 182 Gr . F6a + Stellite	----
Cover	A 216 Gr . WCB / A 515 Gr. 70	A 352 Gr . LCB / A 182 Gr. F304	A 217 Gr . C5	A 351 Gr . CF8M
Cover Bolt & Nut	A 193 Gr . B7 / A 194 Gr. 2H	A 320 Gr . L7 / A 194 Gr. 7	A 193 Gr . B7 / A 194 Gr. 2H	A 193 Gr . B7 / A 194 Gr. 2H ⁽¹⁾
Bracket Stud & Nut	A 193 Gr . B8 / A 194 Gr. 8	A 193 Gr . B8 / A 194 Gr. 8	A 193 Gr . B8 / A 194 Gr. 8	A 193 Gr . B8M / A 194 Gr. 8M
Gasket	SS304L or Graphite	SS304L or Graphite	SS304L or Graphite	SS316L or Graphite
Washer	AISI 410	AISI 304	AISI 410	AISI 316
Disc Nut	AISI 304	AISI 304	AISI 304	AISI 316
Hinge Pin *	A182 Gr . F6a	A182 Gr . F304	A182 Gr . F6a	A 182 Gr . F316
Split Pin	AISI 304	AISI 304	AISI 304	AISI 316
Hinge	A 216 Gr . WCB / A 515 Gr. 70	A 352 Gr . LCB	A 217 Gr . C5	A 351 Gr . CF8M
Hinge Bracket	A 216 Gr . WCB / A 515 Gr. 70	A 352 Gr . LCB	A 217 Gr . C5	A 351 Gr . CF8M
Turning Hook	A105	A105	A105	A105

CLIENTELE



FRETURE TECHNO PVT. LTD.

 Alpack Comp, Milind Nagar
Bhandup (W) Mumbai 400 078

 www.freture.com
 +91 75066 82777
 sales@freture.com