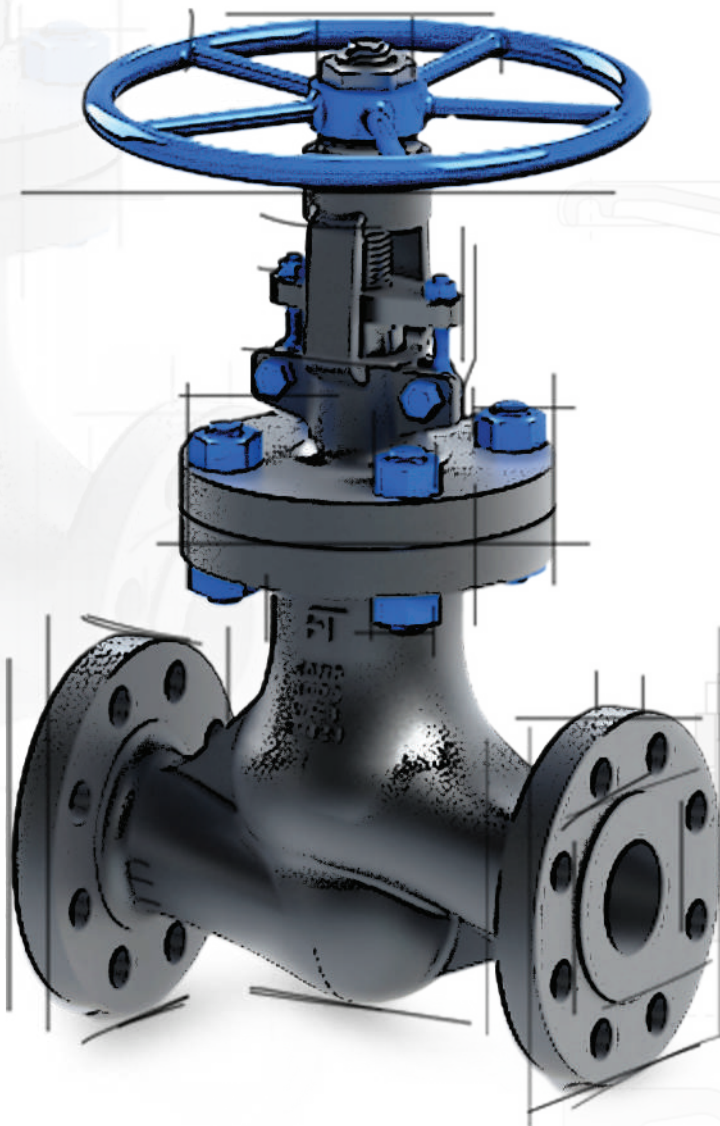


FRETURE

EMISSION FREE PROCESS

PROCESS AUTOMATION & CONTROL



INNOVATION FOR SUSTAINABILITY

GLOBE VALVE

www.freture.com

ISO 9001 - 15000 | ISO 14000 | ISO 45001 | PED 2014 / 68 / EU | IBR

ANGLED GLOBE VALVE

Design : DIN 3356 / BS 1873 / API 623 / EN 13709

Operation : Manual & Actuated (Diaphragm / Electric / Gear / Cylindrical)

End Connection	Size	Class
Flange End	15NB-300NB	150#-1500#



Air



Gas



Steam



Liquid



Chemical



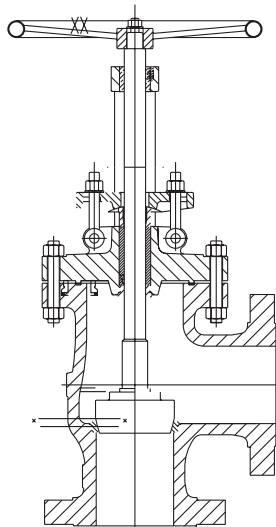
High Temp.



Hazardous



Cryogenic



Description	Carbon Steel	Carbon Steel	Alloy Steel	Stainless Steel
Body	A 216 Gr. WCB	A 352 Gr. LCB	A 217 Gr. C5	A 351 Gr. CF8M
Bonnet	A 216 Gr. WCB	A 352 Gr. LCB	A 217 Gr. C5	A 351 Gr. CF8M
Wedge	A 216 Gr. WCB + ER410	A 352 Gr. LCB + ER308	A 217 Gr.C5 + ER410	A 351 Gr. CF8M
Yoke	A 216 Gr. WCB	A 352 Gr.LCB	A 217 Gr. C5	A 351 Gr. CF8M
Stem	A 182 Gr. F6a	A 182 Graph. F304	A 182 Gr. F6a	A 182 Gr. F316
Seat Ring	A 105 + Stellite	A 182 Gr. F304	A 182 Gr. F6a + Stellite	----
Stem Nut	B 148 / A 439 Gr. D2	B 148 / A 439 Gr. D2	B 148 / A 439 Gr. D2	B 148 / A 439 Gr. D2
Backseat	A182 Gr. F6a	A182 Gr. F304	A 182 Gr. F6a	----
Gland	A 105	A 105	A 182 Gr. F6a	A 182 Gr. F316
Gland Flange	A 105	A 105	A 105	A 182 Gr. F304
Stem Packing	Graphite	Graphite	Graphite	Graphite
Gasket (Class 150)	SS304 / Graphite	SS304 / Graphite	SS304 / Graphite	SS316 / Graphite
Gasket (Class 300)	Spw SS304 / Graphite	Spw SS304 / Graphite	Spw SS304 / Graphite	Spw SS316 / Graphite
Gasket (Class 600)	Spw SS304 / Graphite	Spw SS304 / Graphite	Spw SS304 / Graphite	Spw SS316 / Graphite
Gasket (Class 900)	RJ SS304	RJ SS304	RJ SS304	RJ SS316
Gasket (Class 1500)	RJ SS304	RJ SS304	RJ SS304	RJ SS316
Gasket (Class 2500)	RJ SS304	RJ SS304	RJ SS304	RJ SS316
Bonnet Bolt & Nut	A 193 Gr.B7 / A 194 Gr.2H	A320 Gr. L7 / A194 Gr. 7	A 193 Gr.B7 / A 194 Gr.2H A	193 Gr.B7 / A 194 Gr.2H
Eye Bolt & Nut	A 193 Gr.B7 / A 194 Gr.2H	A 193 Gr.B7 / A 194 Gr.2H	A 193 Gr.B7 / A 194 Gr.2H	A 193 Gr.B7 / A 194 Gr.2H
Handwheel	Carbon Steel	Carbon Steel	Carbon Steel	Carbon Steel

FORGED GLOBE VALVE

Design : BS 5352 / API 602 / MSS SP 84

Operation : Manual & Actuated (Diaphragm / Electric / Gear / Cylindrical)

End Connection	Size	Class
Flange End	15NB-50NB	150#-1500#
Socket Weld / Screwed	15NB-50NB	800#-2500#



Air



Gas



Steam



Liquid



Chemical



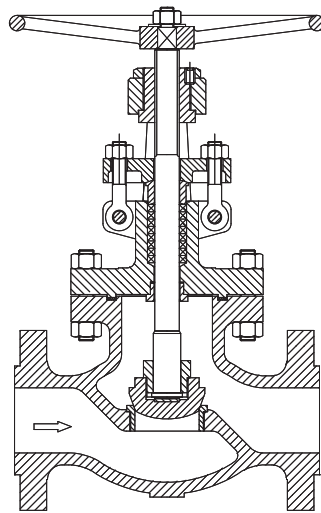
High Temp.



Hazardous



Cryogenic



Description	Carbon Steel	Carbon Steel	Alloy Steel	Stainless Steel
Body	A 216 Gr. WCB	A 352 Gr. LCB	A 217 Gr. C5	A 351 Gr. CF8M
Bonnet	A 216 Gr. WCB	A 352 Gr. LCB	A 217 Gr. C5	A 351 Gr. CF8M
Wedge	A 216 Gr. WCB + ER410	A 352 Gr. LCB + ER308	A 217 Gr.C5 + ER410	A 351 Gr. CF8M
Yoke	A 216 Gr. WCB	A 352 Gr.LCB	A 217 Gr. C5	A 351 Gr. CF8M
Stem	A 182 Gr. F6a	A 182 Graph. F304	A 182 Gr. F6a	A 182 Gr. F316
Seat Ring	A 105 + Stellite	A 182 Gr. F304	A 182 Gr. F6a + Stellite	----
Stem Nut	B 148 / A 439 Gr. D2	B 148 / A 439 Gr. D2	B 148 / A 439 Gr. D2	B 148 / A 439 Gr. D2
Backseat	A182 Gr. F6a	A182 Gr. F304	A 182 Gr. F6a	----
Gland	A 105	A 105	A 182 Gr. F6a	A 182 Gr. F316
Gland Flange	A 105	A 105	A 105	A 182 Gr. F304
Stem Packing	Graphite	Graphite	Graphite	Graphite
Gasket (Class 150)	SS304 / Graphite	SS304 / Graphite	SS304 / Graphite	SS316 / Graphite
Gasket (Class 300)	Spw SS304 / Graphite	Spw SS304 / Graphite	Spw SS304 / Graphite	Spw SS316 / Graphite
Gasket (Class 600)	Spw SS304 / Graphite	Spw SS304 / Graphite	Spw SS304 / Graphite	Spw SS316 / Graphite
Gasket (Class 900)	RJ SS304	RJ SS304	RJ SS304	RJ SS316
Gasket (Class 1500)	RJ SS304	RJ SS304	RJ SS304	RJ SS316
Gasket (Class 2500)	RJ SS304	RJ SS304	RJ SS304	RJ SS316
Bonnet Bolt & Nut	A 193 Gr.B7 / A 194 Gr.2H	A320 Gr. L7 / A194 Gr. 7	A 193 Gr.B7 / A 194 Gr.2H A	193 Gr.B7 / A 194 Gr.2H
Eye Bolt & Nut	A 193 Gr.B7 / A 194 Gr.2H	A 193 Gr.B7 / A 194 Gr.2H	A 193 Gr.B7 / A 194 Gr.2H	A 193 Gr.B7 / A 194 Gr.2H
Handwheel	Carbon Steel	Carbon Steel	Carbon Steel	Carbon Steel

API GLOBE VALVE

Design : DIN 3356 / BS 1873 / API 623 / EN 13709

Operation : Manual & Actuated (Diaphragm / Electric / Gear / Cylindrical)

End Connection	Size	Class
Flange End / Butt Weld	15NB-300NB	150#-1500#



Air



Gas



Steam



Liquid



Chemical



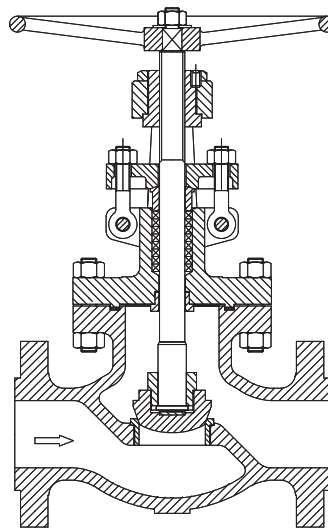
High Temp.



Hazardous



Cryogenic



Description	Carbon Steel	Carbon Steel	Alloy Steel	Stainless Steel
Body	A 216 Gr. WCB	A 352 Gr. LCB	A 217 Gr. C5	A 351 Gr. CF8M
Bonnet	A 216 Gr. WCB	A 352 Gr. LCB	A 217 Gr. C5	A 351 Gr. CF8M
Wedge	A 216 Gr. WCB + ER410	A 352 Gr. LCB + ER308	A 217 Gr.C5 + ER410	A 351 Gr. CF8M
Yoke	A 216 Gr. WCB	A 352 Gr.LCB	A 217 Gr. C5	A 351 Gr. CF8M
Stem	A 182 Gr. F6a	A 182 Graph. F304	A 182 Gr. F6a	A 182 Gr. F316
Seat Ring	A 105 + Stellite	A 182 Gr. F304	A 182 Gr. F6a + Stellite	----
Stem Nut	B 148 / A 439 Gr. D2	B 148 / A 439 Gr. D2	B 148 / A 439 Gr. D2	B 148 / A 439 Gr. D2
Backseat	A182 Gr. F6a	A182 Gr. F304	A 182 Gr. F6a	----
Gland	A 105	A 105	A 182 Gr. F6a	A 182 Gr. F316
Gland Flange	A 105	A 105	A 105	A 182 Gr. F304
Stem Packing	Graphite	Graphite	Graphite	Graphite
Gasket (Class 150)	SS304 / Graphite	SS304 / Graphite	SS304 / Graphite	SS316 / Graphite
Gasket (Class 300)	Spw SS304 / Graphite	Spw SS304 / Graphite	Spw SS304 / Graphite	Spw SS316 / Graphite
Gasket (Class 600)	Spw SS304 / Graphite	Spw SS304 / Graphite	Spw SS304 / Graphite	Spw SS316 / Graphite
Gasket (Class 900)	RJ SS304	RJ SS304	RJ SS304	RJ SS316
Gasket (Class 1500)	RJ SS304	RJ SS304	RJ SS304	RJ SS316
Gasket (Class 2500)	RJ SS304	RJ SS304	RJ SS304	RJ SS316
Bonnet Bolt & Nut	A 193 Gr.B7 / A 194 Gr.2H	A320 Gr. L7 / A194 Gr. 7	A 193 Gr.B7 / A 194 Gr.2H A	193 Gr.B7 / A 194 Gr.2H
Eye Bolt & Nut	A 193 Gr.B7 / A 194 Gr.2H	A 193 Gr.B7 / A 194 Gr.2H	A 193 Gr.B7 / A 194 Gr.2H	A 193 Gr.B7 / A 194 Gr.2H
Handwheel	Carbon Steel	Carbon Steel	Carbon Steel	Carbon Steel

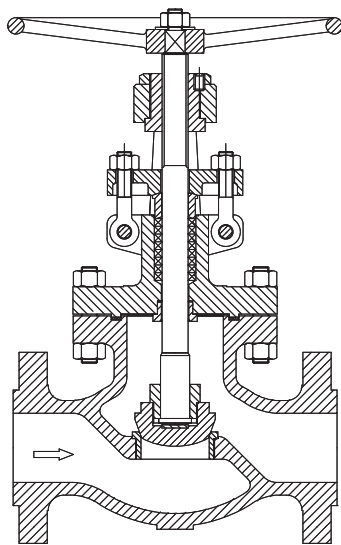
LINED GLOBE VALVE

Lining Material: PTFE, PFA, FEP, PVDF, ETFE, Glass, Carbon PTFE

Design : DIN 3356 / BS 1873 / API 623 / EN 13709

Operation : Manual & Actuated (Diaphragm / Electric / Gear / Cylindrical)

End Connection	Size	Class
Flange End	15NB-300NB	150#/PN16



Chemical



Hazardous



Acid



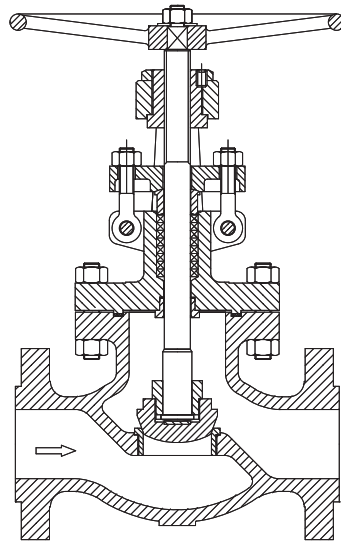
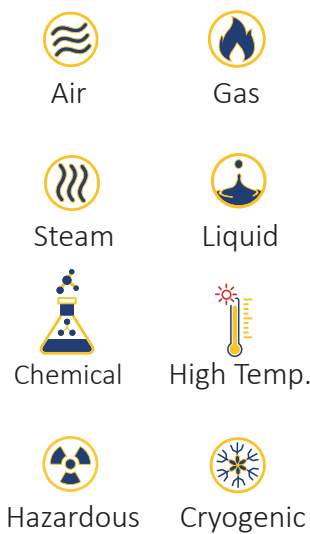
Parts	Carbon Steel	Carbon Steel	Alloy Steel	Stainless Steel
Body	A 216 Gr. WCB	A 352 Gr. LCB	A 217 Gr. C5	A 351 Gr. CF8M
Bonnet	A 216 Gr. WCB	A 352 Gr. LCB	A 217 Gr. C5	A 351 Gr. CF8M
Disc	A105 + Stellite	A182 Gr F304 + Stellite	A 217 Gr. C5 + Stellite	A182 Gr F316 + Stellite
Seat Ring	A105 + Stellite	A182 Gr F304 + Stellite	A182 Gr F6a + Stellite	A182F316 + Stellite
Backseat	Stellite	Stellite	Stellite	Stellite
Stem	A182 Gr F6a	A182 Gr F304	A182 Gr F6a	A 182 Gr. F316
Gland	A105	A105	A182 Gr F6a	A 182 Gr. F316
Gland Flange	A 105	A 105	A 105	A 182 Gr. F304
Yoke	A 216 Gr. WCB	A 352 Gr. LCB	A 217 Gr. C5	A 351 Gr. CF8M
Stem Nut	B148 / A 439 Gr. D2	B148 / A 439 Gr. D2	B148 / A 439 Gr. D2	B148 / A 439 Gr. D2
Disc Nut	A182 Gr. F6a	A182 Gr. F304	A182 Gr. F6a	A182 Gr. F316
Handwheel	Carbon Steel	Carbon Steel	Carbon Steel	Carbon Steel
Handwheel Nut	Steel	Steel	Steel	Steel
Bonnet Bolt & Nut	A 193 Gr. B7 / A 194 Gr. 2H	A320 Gr L7 / A194 Gr. 7	A 193 Gr. B7 / A 194 Gr. 2H	A 193 Gr. B7 / A 194 Gr. 2H
Bolt & Nut	A 193 Gr. B7 / A 194 Gr. 2H	A 193 Gr. B7 / A 194 Gr. 2H	A 193 Gr. B7 / A 194 Gr. 2H	A 193 Gr. B7 / A 194 Gr. 2H
Yoke Bolt & Nut	A 193 Gr. B7 / A 194 Gr. 2H	A 193 Gr. B7 / A 194 Gr. 2H	A 193 Gr. B7 / A 194 Gr. 2H	A 193 Gr. B7 / A 194 Gr. 2H
Gasket (Class 900)	Graphite or SS304L	Graphite or SS304L	Graphite or SS304L	Graphite or SS316L
Gasket (Class 1500)	Graphite or SS304L	Graphite or SS304L	Graphite or SS304L	Graphite or SS316L
Gasket (Class 2500)	Graphite or SS304L	Graphite or SS304L	Graphite or SS304L	Graphite or SS316L
Stem Packing	Graphite	Graphite	Graphite	Graphite
Thrust Washer	A182 Gr. F6a	A182 Gr. F304	A182 Gr. F6a	A182 Gr. F316
Segmental Ring	A 105	A182 Gr. F304	A182 Gr. F6a	A182 Gr. F316
Lock Nut	Steel	A182 Gr. F304	A182 Gr. F6a	A182 Gr. F316

PRESSURE SEAL GLOBE VALVE

Design : DIN 3356 / BS 1873 / API 623 / EN 13709

Operation : Manual & Actuated (Diaphragm / Electric / Gear / Cylindrical)

End Connection	Size	Class
Flange End / Butt Weld	15NB-300NB	150#-1500#




Parts	Carbon Steel	Carbon Steel	Alloy Steel	Stainless Steel
Body	A 216 Gr. WCB	A 352 Gr. LCB	A 217 Gr. C5	A 351 Gr. CF8M
Bonnet	A 216 Gr. WCB	A 352 Gr. LCB	A 217 Gr. C5	A 351 Gr. CF8M
Disc	A105 + Stellite	A182 Gr F304 + Stellite	A 217 Gr. C5 + Stellite	A182 Gr F316 + Stellite
Seat Ring	A105 + Stellite	A182 Gr F304 + Stellite	A182 Gr F6a + Stellite	A182F316 + Stellite
Backseat	Stellite	Stellite	Stellite	Stellite
Stem	A182 Gr F6a	A182 Gr F304	A182 Gr F6a	A 182 Gr F316
Gland	A105	A105	A182 Gr F6a	A 182 Gr F316
Gland Flange	A 105	A 105	A 105	A 182 Gr F304
Yoke	A 216 Gr. WCB	A 352 Gr. LCB	A 217 Gr. C5	A 351 Gr. CF8M
Stem Nut	B148 / A 439 Gr D2	B148 / A 439 Gr D2	B148 / A 439 Gr D2	B148 / A 439 Gr D2
Disc Nut	A182 Gr F6a	A182 Gr F304	A182 Gr F6a	A182 Gr F316
Handwheel	Carbon Steel	Carbon Steel	Carbon Steel	Carbon Steel
Handwheel Nut	Steel	Steel	Steel	Steel
Bonnet Bolt & Nut	A 193 Gr. B7 / A 194 Gr. 2H	A320 Gr L7 / A194 Gr. 7	A 193 Gr. B7 / A 194 Gr. 2H	A 193 Gr. B7 / A 194 Gr. 2H
Bolt & Nut	A 193 Gr. B7 / A 194 Gr. 2H	A 193 Gr. B7 / A 194 Gr. 2H	A 193 Gr. B7 / A 194 Gr. 2H	A 193 Gr. B7 / A 194 Gr. 2H
Yoke Bolt & Nut	A 193 Gr. B7 / A 194 Gr. 2H	A 193 Gr. B7 / A 194 Gr. 2H	A 193 Gr. B7 / A 194 Gr. 2H	A 193 Gr. B7 / A 194 Gr. 2H
Gasket (Class 900)	Graphite or SS304L	Graphite or SS304L	Graphite or SS304L	Graphite or SS316L
Gasket (Class 1500)	Graphite or SS304L	Graphite or SS304L	Graphite or SS304L	Graphite or SS316L
Gasket (Class 2500)	Graphite or SS304L	Graphite or SS304L	Graphite or SS304L	Graphite or SS316L
Stem Packing	Graphite	Graphite	Graphite	Graphite
Thrust Washer	A182 Gr F6a	A182 Gr F304	A182 Gr F6a	A182 Gr F316
Segmental Ring	A 105	A182 Gr F304	A182 Gr F6a	A182 Gr F316
Lock Nut	Steel	A182 Gr F304	A182 Gr F6a	A182 Gr F316

CLIENTELE



FRETURE TECHNO PVT. LTD.

 Alpack Comp, Milind Nagar
Bhandup (W) Mumbai 400 078

 www.freture.com
 +91 75066 82777
 sales@freture.com